

# TUFF•GLO®

...it's REALLY Tough LIGHT!

**120 VAC - 6 Watt - Size B**

## Models:

**120A6-B0-416**

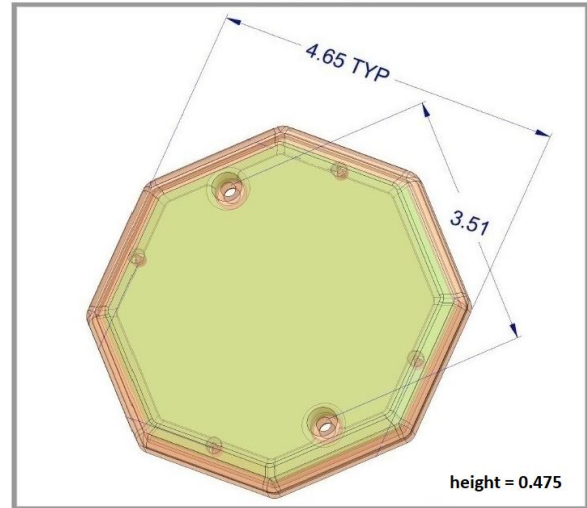
**120A6-B1-425**

**120A6-B8-429**

**120A6-B0-416W**

**120A6-B1-425W**

**120A6-B8-429W**



## Use wherever a super durable light is needed:

- warehouse
- sporting venues
- transit stations
- under cabinet light
- walkways, pathways, stairways
- garages, barns, workshops
- equipment and mechanical rooms
- public spaces

## Features:

- Super—tough made from high strength safety grade plastic!
- Mounts to standard 4" round / octagon junction box.
- Energy saving, cool running, long-life design.
- Same amount of light as a standard 40 Watt bulb.
- Supplied in warm white, cool white, daylight.
- Low profile. Only 0.475 inches!
- Weatherproof version is available (W suffix)
- Works on dimmers.

## Specifications:

### Luminous Intensity - Lumens:

- Warm white (-B0-): 416
- Cool White: (-B1-): 425
- Daylight: (-B8-): 429

Hardware: (2) 8-32 x 1 inch flat head screw, included (stainless steel screws with 'W' version).

Leads: AWG #18, 8 inches long

Environment: For installation in dry locations ONLY, order 'W' suffix for damp locations.

Temperature: -40° to 120° F

Voltage: 120VAC, +/- 10V, 50/60 Hz

Power: 6 Watts

Rated Life: 25,000 hours (11 Years @ 6 hours/Day)

# TUFF•GLO®

[www.tuffglo.com](http://www.tuffglo.com)

1908-516-TUFF

# TUFF•GLO®

...it's **REALLY** Tough LIGHT!

**208 VAC - 6 Watt - Size B**

## Models:

**208A6-B0-434**

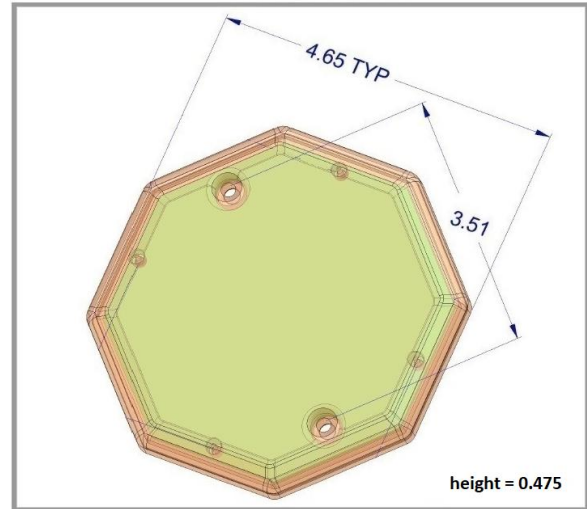
**208A6-B1-443**

**208A6-B8-447**

**208A6-B0-434W**

**208A6-B1-443W**

**208A6-B8-447W**



## Use wherever a super durable light is needed:

- warehouse
- sporting venues
- transit stations
- under cabinet light
- walkways, pathways, stairways
- garages, barns, workshops
- equipment and mechanical rooms
- public spaces

## Features:

- Super—tough made from high strength safety grade plastic!
- Mounts to standard 4" round / octagon junction box.
- Energy saving, cool running, long-life design.
- Same amount of light as a standard 40 Watt bulb.
- Supplied in warm white, cool white, daylight.
- Low profile.
- Weatherproof version is available (W suffix)
- Works on dimmers.

## Specifications:

Luminous Intensity - Lumens:

- Warm white (-B0-): 434
- Cool White: (-B1-): 443
- Daylight: (-B8-): 447

Hardware: (2) 8-32 x 1-1/2 inch flat head screw, included (stainless steel screws with 'W' version).

Leads: AWG #18, 8 inches long

Environment: For installation in dry locations ONLY, order 'W' suffix for damp/wet locations.

Temperature: -40° to 120° F

Voltage: 208VAC, +/- 20V, 50/60 Hz

Power: 5.5 Watts

Rated Life: 25,000 hours (11 Years @ 6 hours/Day)

# TUFF•GLO®

[www.tuffglo.com](http://www.tuffglo.com)

1908-516-TUFF

# TUFF•GLO®

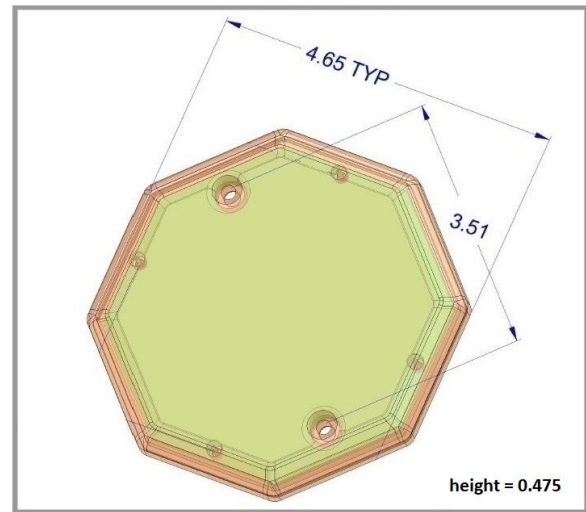
...it's **REALLY** Tough LIGHT!

**240 VAC - 6 Watt - Size B**

## Models:

**240A6-A0-409**  
**240A6-A1-418**  
**240A6-A8-422**

**240A6-A0-409W**  
**240A6-A1-418W**  
**240A6-A8-422W**



## Use wherever a super durable light is needed:

- warehouse
- sporting venues
- transit stations
- under cabinet light
- walkways, pathways, stairways
- garages, barns, workshops
- equipment and mechanical rooms
- public spaces

## Features:

- Super—tough made from high strength safety grade plastic!
- Mounts to standard 4" round / octagon junction box.
- Energy saving, cool running, long-life design.
- Same amount of light as a standard 40 Watt bulb.
- Supplied in warm white, cool white, daylight.
- Low profile.
- Weatherproof version is available (W suffix)
- Works on dimmers.

## Specifications:

### Luminous Intensity - Lumens:

- Warm white (-B0-): 409
- Cool White: (-B1-): 418
- Daylight: (-B8-): 422

Hardware:	(2) 8-32 x 1 inch flat head screw, included (stainless steel for 'W' suffix models)
Leads:	AWG #18, 8 inches long
Environment:	For installation in dry locations ONLY, order 'W' suffix for damp/wet locations.
Temperature:	-40° to 120° F
Voltage:	240VAC, +/- 20V, 50/60 Hz
Power:	6 Watts
Rated Life:	25,000 hours (11 Years @ 6 hours/Day)

# TUFF•GLO®

[www.tuffglo.com](http://www.tuffglo.com)

1908-516-TUFF

# TUFF•GLO®

...it's **REALLY** Tough LIGHT!

**277 VAC - 6 Watt - Size B**

## Models:

**277A6-A0-374**

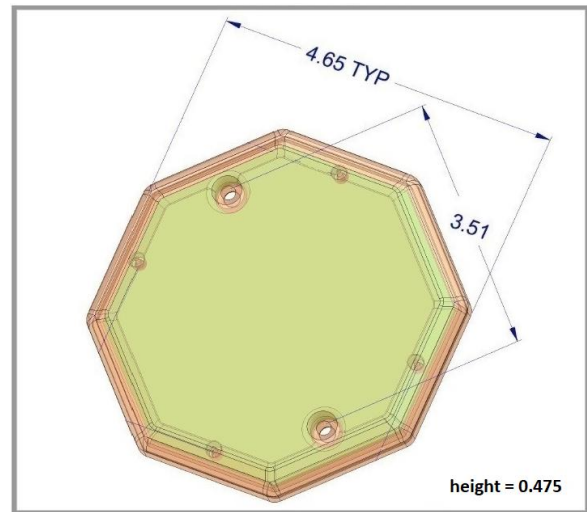
**277A6-A1-381**

**277A6-A8-385**

**277A6-A0-374W**

**277A6-A1-381W**

**277A6-A8-385W**



## Use wherever a super durable light is needed:

- warehouse
- sporting venues
- transit stations
- under cabinet light
- walkways, pathways, stairways
- garages, barns, workshops
- equipment and mechanical rooms
- public spaces

## Features:

- Super—tough made from high strength safety grade plastic!
- Mounts to standard 4" round / octagon junction box.
- Energy saving, cool running, long-life design.
- Same amount of light as a standard 40 Watt bulb.
- Supplied in warm white, cool white, daylight.
- Low profile.
- Weatherproof version is available (W suffix)
- Works on dimmers.

## Specifications:

### Luminous Intensity - Lumens:

- Warm white (-B0-): 374
- Cool White: (-B1-): 381
- Daylight: (-B8-): 385

Hardware:	(2) 8-32 x 1 inch flat head screw, included (stainless steel screws supplied with 'W' version product)
Leads:	AWG #18, 8 inches long
Environment:	For installation in dry locations ONLY, order 'W' suffix for damp/wet locations.
Temperature:	-40° to 120° F
Voltage:	277VAC, +/- 27V, 50/60 Hz
Power:	6.3 Watts
Rated Life:	25,000 hours (11 Years @ 6 hours/Day)

# TUFF•GLO®

[www.tuffglo.com](http://www.tuffglo.com)

1908-516-TUFF