

TUFF•GLO®

...it's REALLY Tough LIGHT!

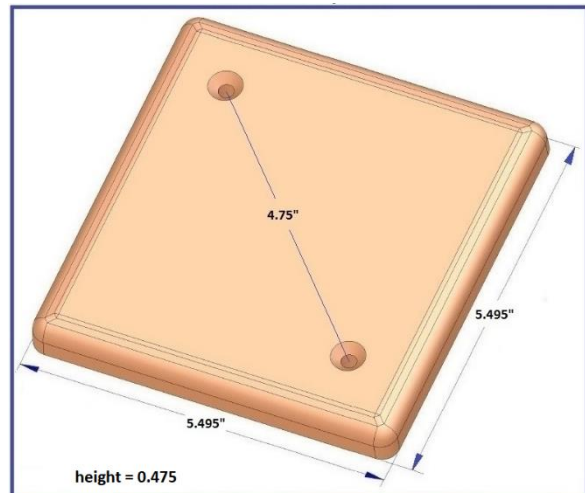
120 VAC - 10 Watt - Size H

Models:

120A10-H0-715 (warm white)

120A10-H1-715 (cool white)

120A10-H8-715 (daylight)



Use wherever a super durable light is needed:

- warehouse
- sporting venues
- transit stations
- under cabinet light
- walkways, pathways, stairways
- garages, barns, workshops
- equipment and mechanical rooms
- public spaces

Features:

- Super—tough made from high strength safety grade plastic!
- Mounts to standard 4" square junction box.
- Energy saving, cool running, long-life design.
- Same amount of light as a standard 60 Watt bulb.
- Supplied in warm white, cool white, day light.
- Low profile. Only 0.475 inches!
- Works on dimmers.

Specifications:

Luminous Intensity:	715 Lumens @ 120VAC
Hardware:	(2) 8-32 x 1 inch flat head screw, included
Leads:	AWG #18, 8 inches long
Environment:	For installation in dry locations ONLY.
Temperature:	-40° to 120° F
Voltage:	120VAC, +/- 10V, 50/60 Hz
Power:	10.4 Watts
Rated Life:	25,000 hours (11 Years @ 6 hours/Day)

TUFF•GLO®

www.tuffglo.com

1908-516-TUFF

TUFF•GLO®

...it's REALLY Tough LIGHT!

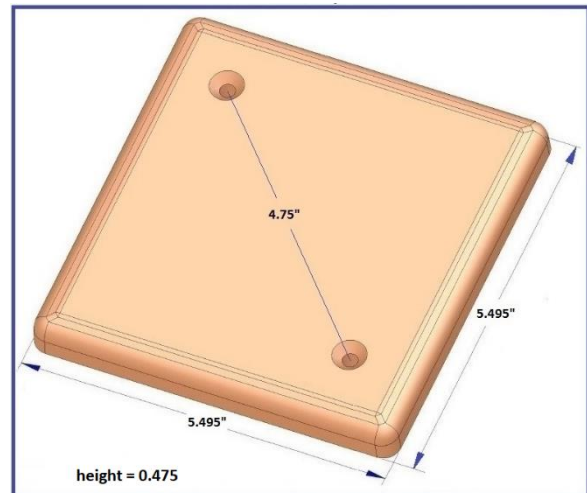
208 VAC - 10 Watt - Size H

Models:

208A10-H0-760 (warm white)

208A10-H1-760 (cool white)

208A10-H8-760 (daylight)



Use wherever a super durable light is needed:

- warehouse
- sporting venues
- transit stations
- under cabinet light
- walkways, pathways, stairways
- garages, barns, workshops
- equipment and mechanical rooms
- public spaces

Features:

- Super—tough made from high strength safety grade plastic!
- Mounts to standard 4" square junction box.
- Energy saving, cool running, long-life design.
- Same amount of light as a standard 60 Watt bulb.
- Available in warm white, cool white, day light.
- Low profile.
- Works on dimmers.

Specifications:

Luminous Intensity:	760 Lumens @ 208VAC
Hardware:	(2) 8-32 x 1 inch flat head screw, included
Leads:	AWG #18, 8 inches long
Environment:	For installation in dry locations ONLY.
Temperature:	-40° to 120° F
Voltage:	208VAC, +/- 20V, 50/60 Hz
Power:	10 Watts
Rated Life:	25,000 hours (11 Years @ 6 hours/Day)

TUFF•GLO®

www.tuffglo.com

1908-516-TUFF

TUFF•GLO®

...it's **REALLY** Tough LIGHT!

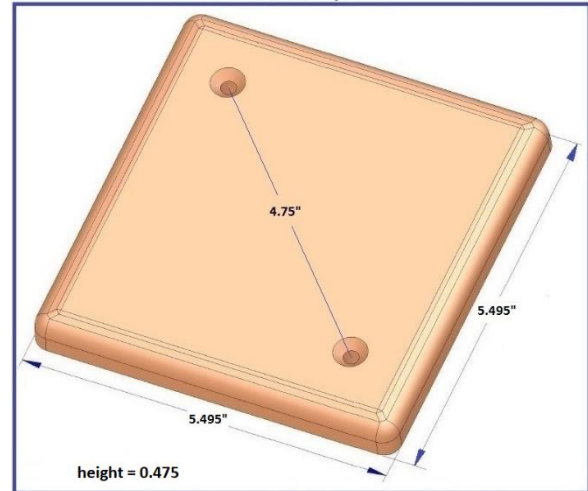
240 VAC - 10 Watt - Size H

Models:

240A10-H0-700 (warm white)

240A10-H1-700 (cool white)

240A10-H8-700 (daylight)



Use wherever a super durable light is needed:

- warehouse
- sporting venues
- transit stations
- under cabinet light
- walkways, pathways, stairways
- garages, barns, workshops
- equipment and mechanical rooms
- public spaces

Features:

- Super—tough made from high strength safety grade plastic!
- Mounts to standard 4" square junction box.
- Energy saving, cool running, long-life design.
- Same amount of light as a standard 60 Watt bulb.
- Supplied in warm white, cool white, day light.
- Low profile.
- Works on dimmers.

Specifications:

Luminous Intensity:	700 Lumens @ 240VAC
Hardware:	(2) 8-32 x 1 inch flat head screw, included
Leads:	AWG #18, 8 inches long
Environment:	For installation in dry locations ONLY.
Temperature:	-40° to 120° F
Voltage:	240VAC, +/- 20V, 50/60 Hz
Power:	10 Watts
Rated Life:	25,000 hours (11 Years @ 6 hours/Day)

TUFF•GLO®

www.tuffglo.com

1908-516-TUFF

TUFF•GLO®

...it's REALLY Tough LIGHT!

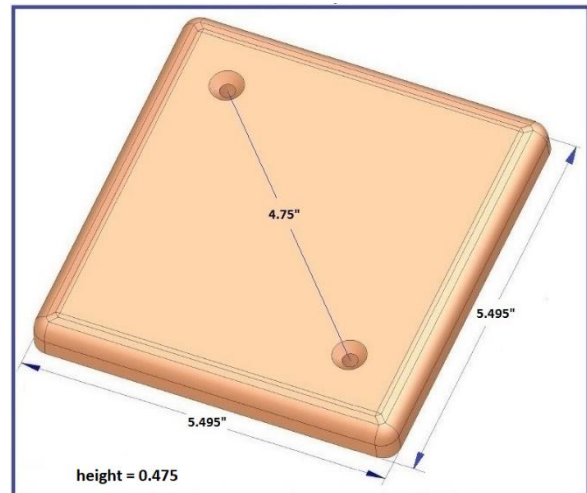
277 VAC - 10 Watt - Size H

Models:

277A10-H0-606 (warm white)

277A10-H1-606 (cool white)

277A10-H8-606 (daylight)



Use wherever a super durable light is needed:

- warehouse
- sporting venues
- transit stations
- under cabinet light
- walkways, pathways, stairways
- garages, barns, workshops
- equipment and mechanical rooms
- public spaces

Features:

- Super—tough made from high strength safety grade plastic!
- Mounts to standard 4" square junction box.
- Energy saving, cool running, long-life design.
- Same amount of light as a standard 60 Watt bulb.
- Supplied in warm white, cool white, day light.
- Low profile.
- Works on dimmers.

Specifications:

Luminous Intensity:	606 Lumens @ 277VAC
Hardware:	(2) 8-32 x 1 inch flat head screw, included
Leads:	AWG #18, 8 inches long
Environment:	For installation in dry locations ONLY.
Temperature:	-40° to 120° F
Voltage:	277VAC, +/- 27V, 50/60 Hz
Power:	10 Watts
Rated Life:	25,000 hours (11 Years @ 6 hours/Day)

TUFF•GLO®

www.tuffglo.com

1908-516-TUFF