

TUFF•GLO®

...it's REALLY Tough LIGHT!

12 volts AC/DC - 3 Watt - Size A

Models:

12U3-A0-187

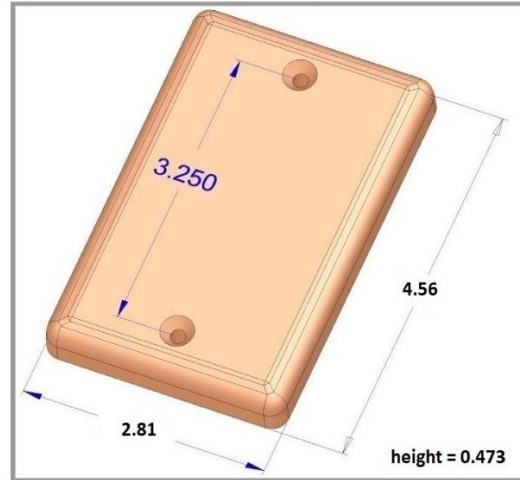
12U3-A1-198

12U3-A8-204

12U3-A0-187W

12U3-A1-198W

12U3-A8-204W



Use wherever a super durable light is needed:

- trucks, trailers, RV's
- sporting venues
- transit stations
- under cabinet light
- walkways, pathways, stairways
- garages, barns, workshops
- equipment and mechanical rooms
- public spaces

Features:

- Really tough - made from high strength safety grade plastic!
- Mounts to standard outlet box / switch box / wall case.
- Energy saving, cool running, long-life design.
- Same amount of light as a standard 25-40 Watt bulb.
- Supplied in warm white, cool white, daylight.
- Low profile. Only 0.473 inches!
- Works on 12 volts AC or DC.
- Weatherproof version is available ('W' suffix)
- Compatible with low voltage landscaping lighting.

Specifications:

Luminous Intensity - Lumens:

- Warm white (-A0-): 187
- Cool White: (-A1-): 198
- Daylight: (-A8-): 204

Hardware: (2) 6-32 x 1 inch flat head screw, included (stainless steel screws are supplied with 'W' version)

Leads: AWG #18, 8 inches long

Environment: For installation in dry locations ONLY, order 'W' suffix for damp and wet locations

Temperature: -40° to 120° F

Voltage: 12 volts, DC or AC 50/60 Hz, 11.0V min. to 13.5V max.

Power: 3 Watts

Rated Life: 25,000 hours (11 Years @ 6 hours/Day)

TUFF•GLO®

www.tuffglo.com

1908-516-TUFF

TUFF•GLO®

...it's REALLY Tough LIGHT!

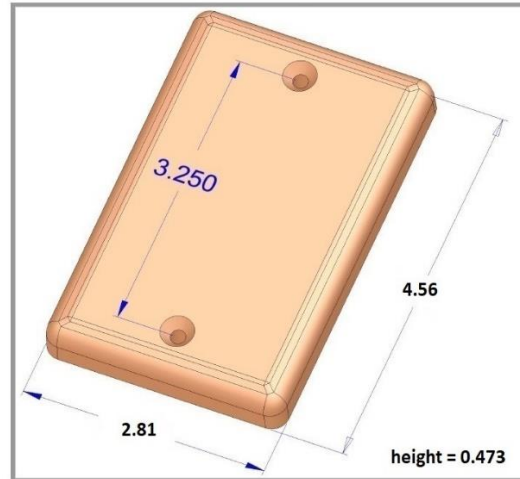
24 Volts AC/DC - 3 Watt - Size A

Models:

24U3-A0-209

24U3-A1-221

24U3-A8-228



Use wherever a super durable light is needed:

- warehouse
- sporting venues
- transit stations
- under cabinet light
- walkways, pathways
- garages, barns, workshops
- equipment and mechanical rooms
- public spaces

Features:

- Really tough - made from high strength safety grade plastic!
- Mounts to standard outlet box / switch box / wall case.
- Energy saving, cool running, long-life design.
- Same amount of light as a standard 25 Watt bulb.
- Supplied in warm white, cool white, day light.
- Low profile. Only 0.473 inches!
- Works on 24 volts AC or DC.

Specifications:

Luminous Intensity - Lumens:

- Warm white (-A0-): 209
- Cool White: (-A1-): 221
- Daylight: (-A8-): 228

Hardware: (2) 6-32 x 1 inch flat head screw, included

Leads: AWG #18, 8 inches long

Environment: For installation in dry locations ONLY. (weatherproof version available by request)

Temperature: -40° to 120° F

Voltage: 24 volts, +/- 2V, DC or AC 50/60 Hz

Power: 3.3 Watts

Rated Life: 25,000 hours (11 Years @ 6 hours/Day)

TUFF•GLO®

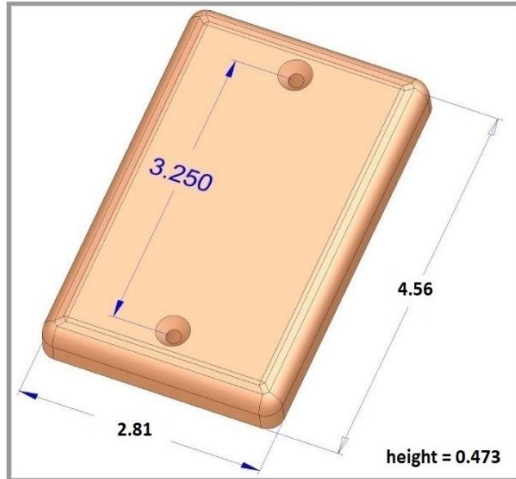
www.tuffglo.com

1908-516-TUFF

TUFF•GLO®

...it's REALLY Tough LIGHT!

120 VAC - 4 Watt - Size A



Models:

120A4-A0-243

120A4-A1-248

120A4-A8-250

120A4-A0-243W

120A4-A1-248W

120A4-A8-250W

Use wherever a super durable light is needed:

- warehouse
- sporting venues
- transit stations
- under cabinet light
- walkways, pathways, stairways
- garages, barns, workshops
- equipment and mechanical rooms
- public spaces

Features:

- Super—tough made from high strength safety grade plastic!
- Mounts to standard outlet box / switch box / wall case.
- Energy saving, cool running, long-life design.
- Same amount of light as a standard 25 Watt bulb.
- Supplied in warm white, cool white, daylight.
- Low profile. Only 0.473 inches!
- Weatherproof version is available ('W' suffix)
- Works on dimmers.

Specifications:

Luminous Intensity - Lumens:

- Warm white (-A0-): 243
- Cool White: (-A1-): 248
- Daylight: (-A8-): 250

Hardware: (2) 6-32 x 1" flat head screw, included (stainless steel screws are supplied with 'W' version)

Leads: AWG #18, 8 inches long

Environment: For installation in dry locations ONLY, order 'W' suffix for damp and wet locations

Temperature: -40° to 120° F

Voltage: 120VAC, +/- 10V, 50/60 Hz

Power: 4.4 Watts

Rated Life: 26,000 hours (11 Years @ 6 hours/Day)

TUFF•GLO®

www.tuffglo.com

1908-516-TUFF

TUFF•GLO®

...it's REALLY Tough LIGHT!

208 VAC - 4 Watt - Size A

Models:

208A4-A0-157

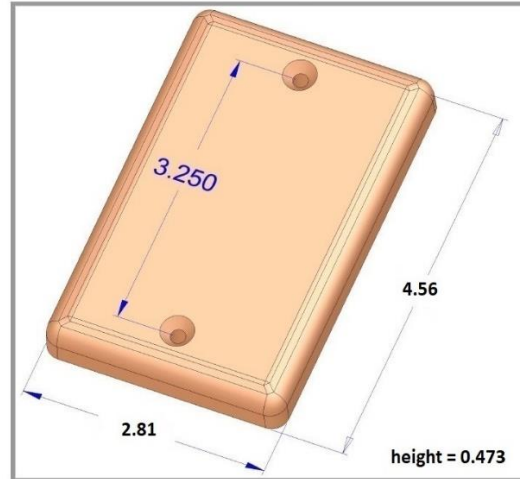
208A4-A1-161

208A4-A8-162

208A4-A0-157W

208A4-A1-161W

208A4-A8-162W



Use wherever a super durable light is needed:

- warehouse
- sporting venues
- transit stations
- under cabinet light
- walkways, pathways, stairways
- garages, barns, workshops
- equipment and mechanical rooms
- public spaces

Features:

- Super—tough made from high strength safety grade plastic!
- Mounts to standard outlet box / switch box / wall case.
- Energy saving, cool running, long-life design.
- Same amount of light as a standard 25 Watt bulb.
- Supplied in warm white, cool white, daylight.
- Low profile. Only 0.473 inches!
- Weatherproof version is available ('W' suffix)
- Works on dimmers.

Specifications:

Luminous Intensity - Lumens:

- Warm white (-A0-): 157
- Cool White: (-A1-): 161
- Daylight: (-A8-): 162

Hardware: (2) 6-32 x 1" flat head screw, included (stainless steel screws are supplied with 'W' version)

Leads: AWG #18, 8 inches long

Environment: For installation in dry locations ONLY, order 'W' suffix for damp and wet locations.

Temperature: -40° to 120° F

Voltage: 208VAC, +/- 20V, 50/60 Hz

Power: 4.4 Watts

Rated Life: 25,000 hours (11 Years @ 6 hours/Day)

TUFF•GLO®

www.tuffglo.com

1908-516-TUFF

TUFF•GLO®

...it's REALLY Tough LIGHT!

240 VAC - 4 Watt - Size A

Models:

240A4-A0-300

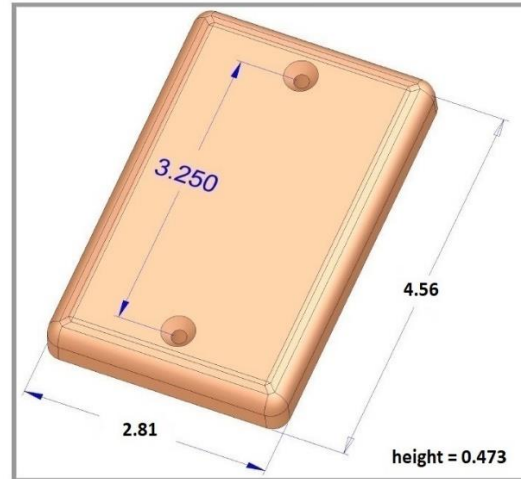
240A4-A1-300

240A4-A8-300

240A4-A0-300W

240A4-A1-300W

240A4-A8-300W



Use wherever a super durable light is needed:

- warehouse
- sporting venues
- transit stations
- under cabinet light
- walkways, pathways, stairways
- garages, barns, workshops
- equipment and mechanical rooms
- public spaces

Features:

- Super—tough made from high strength safety grade plastic!
- Mounts to standard outlet box / switch box / wall case.
- Energy saving, cool running, long-life design.
- Same amount of light as a standard 40 Watt bulb.
- Supplied in warm white, cool white, day light.
- Low profile. Only 0.473 inches!
- Weatherproof version is available ('W' suffix)
- Works on dimmers.

Specifications:

Luminous Intensity	300 Lumens
Hardware:	(2) 6-32 x 1" flat head screw, included (stainless steel screws are supplied with 'W' version)
Leads:	AWG #18, 8 inches long
Environment:	For installation in dry locations ONLY, order 'W' suffix for damp and wet locations.
Temperature:	-40° to 120° F
Voltage:	240VAC, +/- 20V, 50/60 Hz
Power:	4.4 Watts
Rated Life:	25,000 hours (11 Years @ 6 hours/Day)

TUFF•GLO®

www.tuffglo.com

1908-516-TUFF

TUFF•GLO®

...it's REALLY Tough LIGHT!

277 VAC - 4 Watt - Size A

Models:

277A4-A0-260

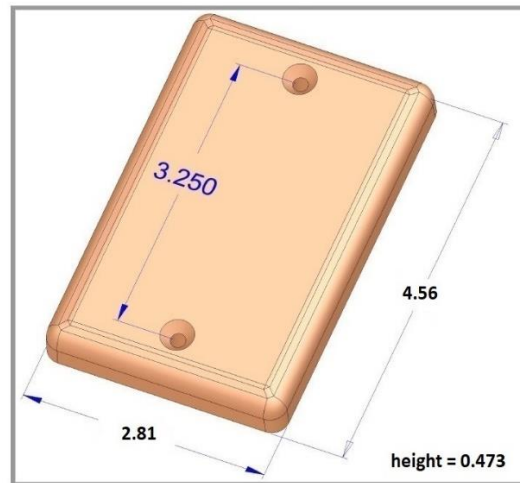
277A4-A1-260

277A4-A8-260

277A4-A0-260W

277A4-A1-260W

277A4-A8-260W



Use wherever a super durable light is needed:

- warehouse
- sporting venues
- transit stations
- under cabinet light
- walkways, pathways
- garages, barns, workshops
- equipment and mechanical rooms
- public spaces

Features:

- Super—tough made from high strength safety grade plastic!
- Mounts to standard outlet box / switch box / wall case.
- Energy saving, cool running, long-life design.
- Same amount of light as a standard 40 Watt bulb.
- Supplied in warm white, cool white, day light.
- Low profile. Only 0.473 inches!
- Weatherproof version is available ('W' suffix)
- Works on dimmers.

Specifications:

Luminous Intensity	260 Lumens
Hardware:	(2) 6-32 x 1" flat head screw, included (stainless steel screws are supplied with 'W' version)
Leads:	AWG #18, 8 inches long
Environment:	For installation in dry locations ONLY, order 'W' suffix for damp and wet locations.
Temperature:	-40° to 120° F
Voltage:	277VAC, +/- 27V, 50/60 Hz
Power:	4.4 Watts
Rated Life:	25,000 hours (11 Years @ 6 hours/Day)

TUFF•GLO®

www.tuffglo.com

1908-516-TUFF